



NITECORE®

TINI 2

Dual-Core Intelligent Keychain Light

With OLED Display

These images are for guide purpose only, actual result may vary depending on ambient factors.
They are the intellectual property of Nitecore. All rights to take legal action are reserved.

NITECORE®

TINI 2 Dual-Core Intelligent
Keychain Light

500 Lumens
Max Output

Upgrade From the Last Generation

32%

Utilizing 2 x OSRAM P8 LEDs and a total reflective optic lens for uniform and soft light, the TINI2 has a max output of 500 lumens and a max throw of 89 meters.

* The TINI has a max output of 380 lumens.



These images are for guide purpose only, actual result may vary depending on ambient factors.
They are the intellectual property of Nitecore. All rights to take legal action are reserved.

Multifunctional OLED Real-time Display



Battery Level & Voltage



Brightness Level



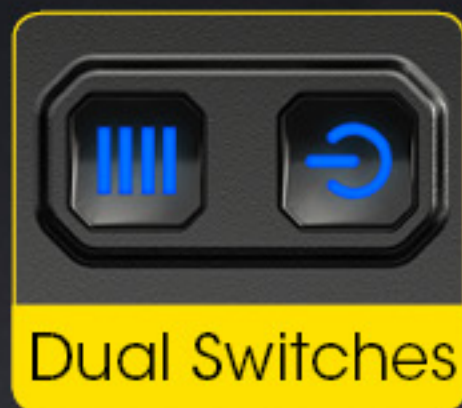
User Mode



Runtime Remaining

Thumb-sized Technical Breakthrough

The spatial distribution is precisely calculated so that the electronic components can be packed in an ultra compact housing to offer an unprecedented user experience.



Ultra Tiny and Lightweight

Weight: 18.8g (0.66oz)



Charging Port Cover

Provides excellent water, dust
and impact resistance



USB-C Rechargeable

Available with a reversible plug-in

Two Lockout Modes Available

Inherited from the NITECORE Flagship Product TM10K



Half Lockout Mode (Lockout 1)

The Power Button is unavailable to activate the flashlight. Holding the Mode Button is still available for accessing TURBO for tactical or emergency needs.



Full Lockout Mode (Lockout 2)

When in Full Lockout Mode, both buttons are unavailable to activate the flashlight so that the TINI2 can be stored in the backpack.

NITECORE®

TINI 2 Dual-Core Intelligent
Keychain Light

Advanced Power Cut-Off (APC) Technology

An ultra-low standby current of 1 μ A provides a 365-day ready experience in the standby status.



280mAh Built-in Li-ion Battery

Provides a max runtime of **60** hours.

Note: The stated data is measured in accordance with the international flashlight testing standards ANSI/PLATO FL 1-2019, using the built-in Li-ion battery (280mAh) under laboratory conditions. The data may vary in real world use due to different battery usage or environmental conditions.

These images are for guide purpose only, actual result may vary depending on ambient factors. They are the intellectual property of Nitecore. All rights to take legal action are reserved.

Two User Modes Available



DEMO Mode

For EDC and short-time illumination



DAILY Mode

For outdoor and long-time illumination

DEMO Mode

In any status, long press both the Power Button and the Mode Button simultaneously to switch between DEMO and DAILY Mode. Flashing **once** of the LEDs and "DEMO" shown on the screen indicate the access of DEMO Mode.

The light will automatically shut down if there is no operation in 30 seconds (reactivating the screen excluded).

This is designed to prevent accidental activation and unexpected power consumption.

Reactivating the light within 3 seconds after it automatically shuts down in DEMO mode will temporarily access DAILY Mode until it is turned off.



DAILY Mode

In any status, long press both the Power Button and the Mode Button simultaneously to switch between DEMO and DAILY Mode. Flashing **twice** of the LEDs and "DAILY" shown on the screen indicate the access of DAILY Mode.



Direct Access to TURBO / ULTRALOW



TURBO

In any status, press and hold the Mode Button to access TURBO. Release to return to previous status.

(Available for outdoor and long-range searching)



ULTRALOW

When the light is off, long press the Power Button to directly access ULTRALOW.

(Available for short-range illumination to protect the scotopic vision)

NITECORE®

TINI2

Dual-Core Intelligent
Keychain Light

5 Brightness Levels Available



TURBO

500 Lumens



HIGH

200 Lumens



MID

65 Lumens



LOW

15 Lumens



ULTRALOW

1 Lumen

* The TURBO Level is independently controlled.



These images are for guide purpose only, actual result may vary depending on ambient factors.
They are the intellectual property of Nitecore. All rights to take legal action are reserved.



Multiple Charging Safeguards

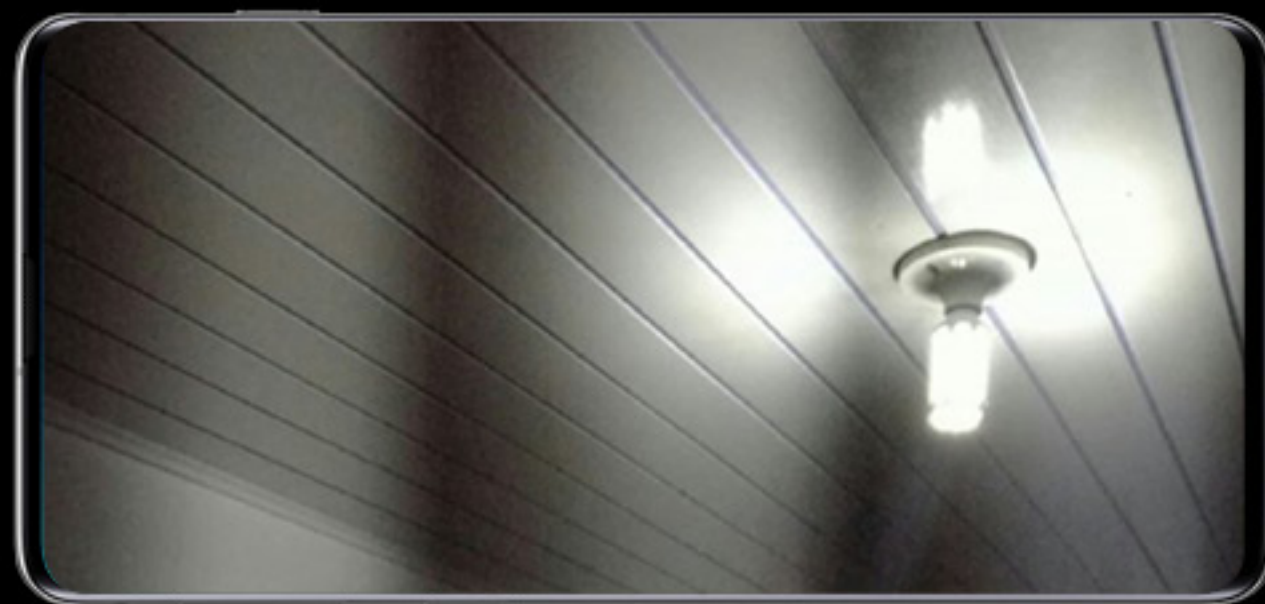
- Intelligent Protective Charging Circuit
- Over-discharge Protection
- Overcharge Protection
- Short-circuit Protection
- Automatic Termination Upon Charging Completion

Highly Efficient Constant Current Circuit (Non-PWM)

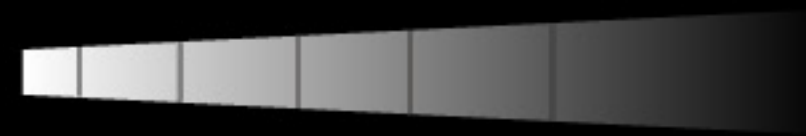
The constant brightness beam without flashing guarantees the comfortable visual experience.



Non-PWM



PWM



Continuously Powered by USB Devices

Enjoy the inexhaustible power supply on the go even in the charging status to avoid outdoor power shortage.

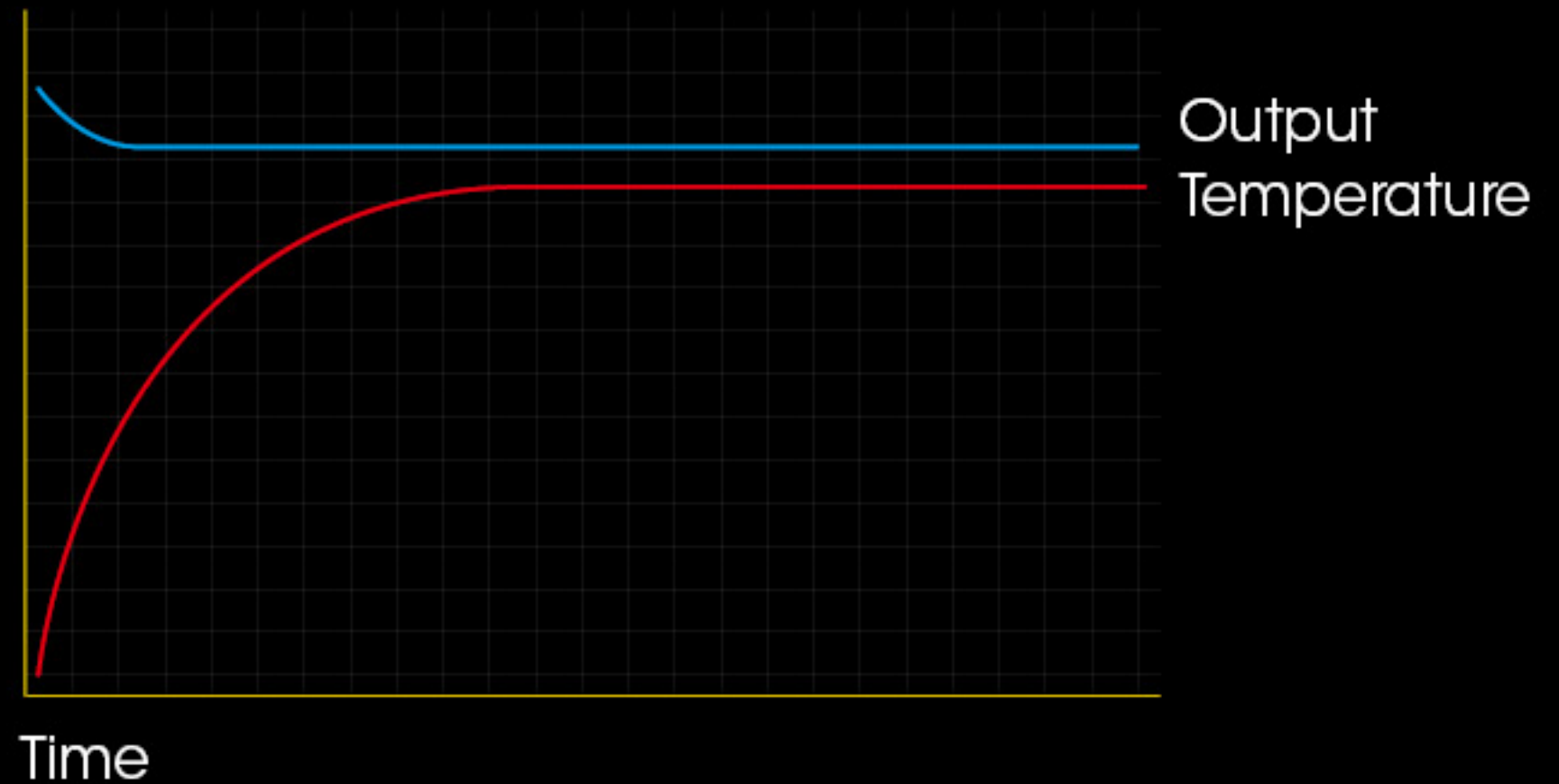
The USB-C charging stand is recommended as an optional accessory to turn it into a reading lamp.



ATR (Advanced Temperature Regulation)

(Patent No. ZL201510534543.6)

The integrated ATR technology regulates the output of the TINI2 according to the working condition and ambient environment to maintain the optimal performance



Aluminum Alloy Construction

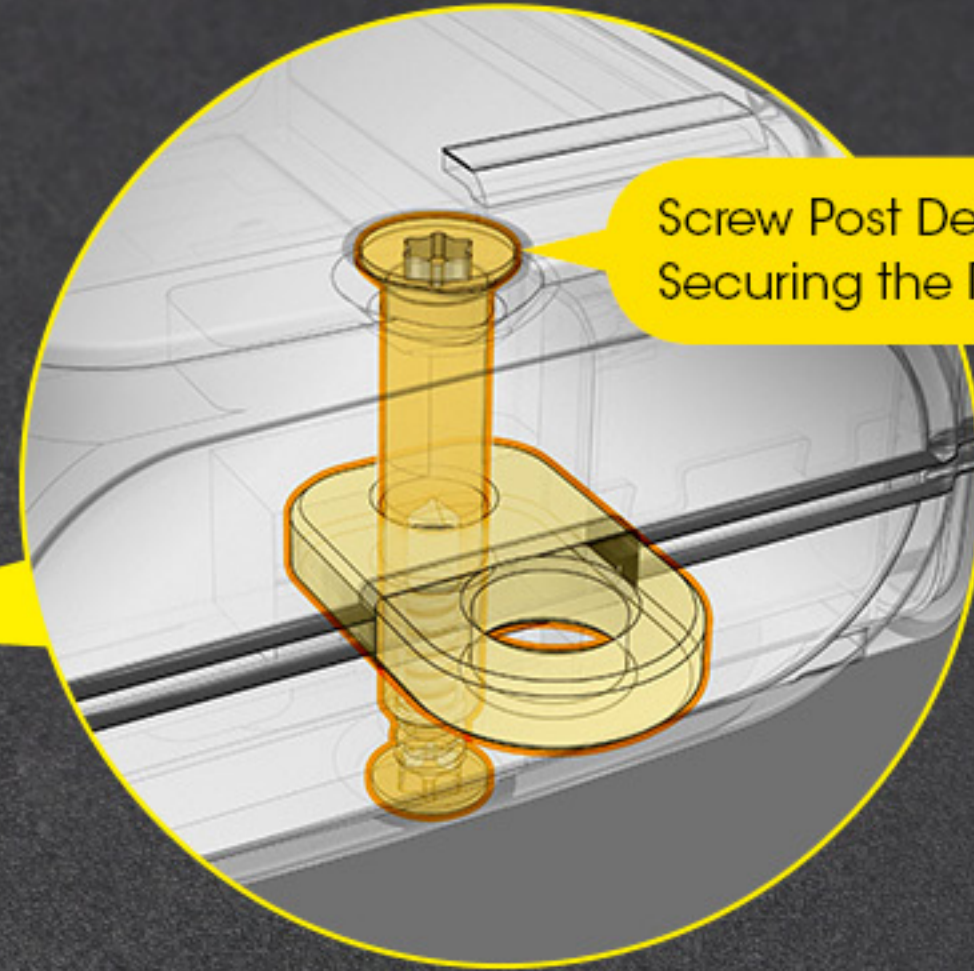
With HA III military grade hard-anodized finish

Two Colors Available: Hi-tech Black ●
Metallic Gray ●



NITECORE®

TINI 2 Dual-Core Intelligent
Keychain Light



Screw Post Design for
Securing the Ring Pull

Solid Stainless-Steel Ring Pull
Able to withstand up to 30kg (66lbs) of weight

These images are for guide purpose only, actual result may vary depending on ambient factors.
They are the intellectual property of Nitecore. All rights to take legal action are reserved.

NITECORE®

TINI 2 Dual-Core Intelligent
Keychain Light

All Weather Applicable
IP54 Rated
1m Impact Resistant



These images are for guide purpose only, actual result may vary depending on ambient factors.
They are the intellectual property of Nitecore. All rights to take legal action are reserved.

NITECORE®

TINI2

Dual-Core Intelligent
Keychain Light



Technical Data

FL1 STANDARD	TURBO	HIGH	MID	LOW	ULTRALOW
	500 Lumens	200 Lumens	65 Lumens	15 Lumens	1 Lumen
	*15min	45min	2h 30min	8h	60h
	89m	56m	32m	14m	6m
	2,000cd	800cd	260cd	55cd	9cd
	1m (Impact Resistance)				
	IP54				

Note: The stated data is measured in accordance with the international flashlight testing standards ANSI/PLATO FL 1-2019, using the built-in Li-ion battery (280mAh) under laboratory conditions. The data may vary in real world use due to different battery usage or environmental conditions.

* The runtime of TURBO is tested without the temperature regulation.

These images are for guide purpose only, actual result may vary depending on ambient factors. They are the intellectual property of Nitecore. All rights to take legal action are reserved.

NITECORE®

TINI2

Dual-Core Intelligent
Keychain Light

Features

- Utilizes 2 × OSRAM P8 LEDs with a max output of 500 lumens
- Max peak beam intensity of 2,000cd and max throw of 89 meters
- Utilizes a total reflective optic lens for uniform and soft light
- Multifunctional OLED real-time display for lumens, battery voltage and runtime etc.
- Built-in 280mAh Li-ion battery
- Advanced Power Cut-Off (APC) technology for an ultra-low standby power consumption
- Built-in Li-ion battery charging circuit with a USB-C port
- Highly efficient constant current circuit provides a stable output up to 60 hours
- 2 user modes available (DEMO Mode and DAILY Mode)
- Dual side switch design
- 5 brightness levels available with direct access to TURBO
- Intelligent mode memory function
- 2 lockout modes available (Half Lockout Mode and Full Lockout Mode)
- Incorporated Advanced Temperature Regulation (ATR) module (Patent No. ZL201510534543.6)
- Metal ring pull able to withstand up to 30 kilograms of weight
- HA III hard-anodized finish
- Impact resistant to 1 meter



These images are for guide purpose only, actual result may vary depending on ambient factors.
They are the intellectual property of Nitecore. All rights to take legal action are reserved.

NITECORE®

TINI2

Dual-Core Intelligent
Keychain Light

Packing List

TINI2 × 1

Key Clasp × 1

Package Dimensions: 76mm × 142mm × 23mm
(2.99" × 5.59" × 0.91")

Package Weight: 50g(1.76oz)



These images are for guide purpose only, actual result may vary depending on ambient factors.
They are the intellectual property of Nitecore. All rights to take legal action are reserved.